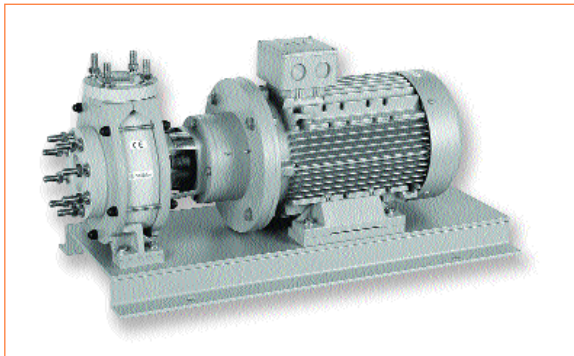
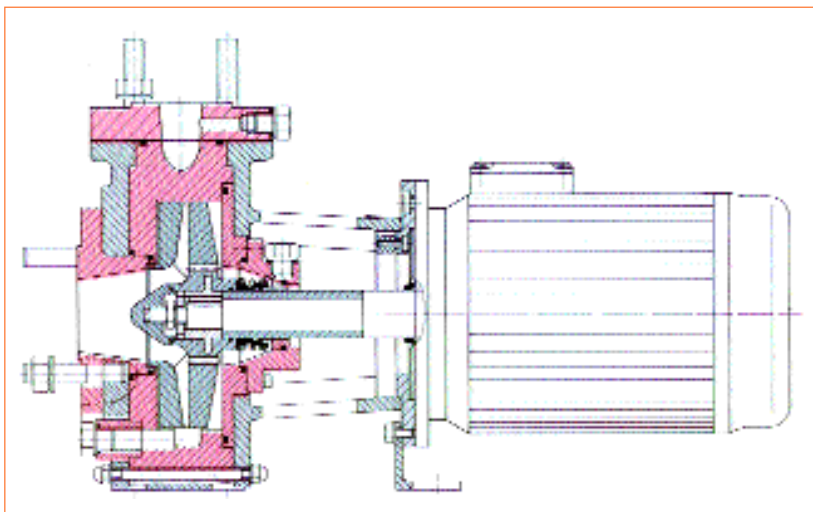


Close Coupled Pumps, Type NMB and NMB-S



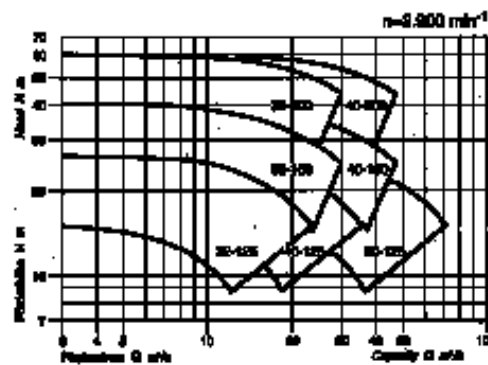
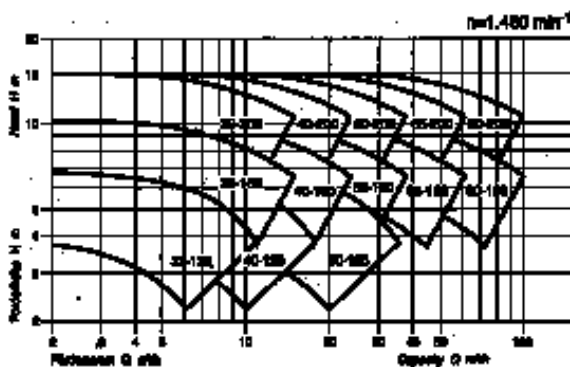
- ✓ Reliable configuration
- ✓ For aggressive fluids including acids, bases and solvents
- ✓ Flow capacity up to 100 m<sup>3</sup>/hr (NMB) and 200m<sup>3</sup>/hr (NMB-S)
- ✓ Head up to 60m
- ✓ Available in Polyethylene (HDPE), Polypropylene (PP), PVDF and UHMW-PE for abrasive duties
- ✓ Simple and fast replacement of all critical parts
- ✓ Sizes from 32-125mm to 80-200mm (Type NMB)
- ✓ Sizes from 32-160mm to 80-315mm (Type MB-S)



Closed coupled chemical standard pumps in back-pullout design, to ISO 2858. Using the ASV modular design system, most parts of the pumps of the type NMB are identical with type NM.

- The pump is directly coupled with an electric motor, the impeller is fixed on to the covered motor shaft, independent of direction of rotation
- Shaft sealing by single or double acting mechanical seal on corrosion resistant shaft sleeve.
- Type NMB-S features a new larger capacity motor

Type NMB



Type NMB-S

