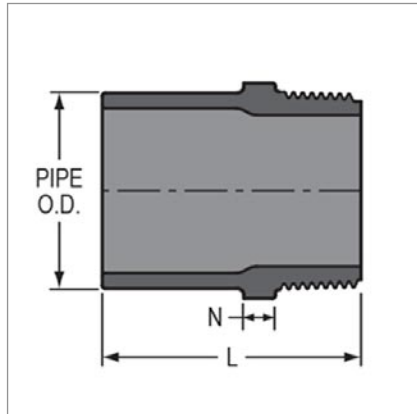


PVCC Adaptor Fittings Inch Sizes Hexagon Nipple

Plain Spigot x NPT Male Thread



Size	Code	L	N	Approx Wt. (grams)
1/2	861-005C	46.04	7.94	13.50
3/4	861-007C	50.00	7.94	22.50
1	861-010C	53.18	6.35	31.50
1 1/4	861-012C	57.94	7.14	49.50
1 1/2	861-015C	66.68	8.73	67.50
2	861-020C	71.44	10.32	103.50

Please note: This information is based on current manufacturers details, and is subject to change without notification.