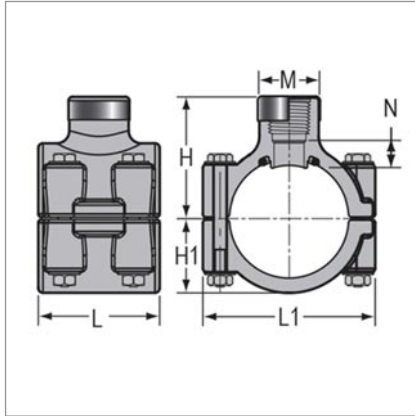


PVCC Saddles Inch Sizes Clamp Saddle

NPT Female Threaded Outlet EPDM O-Ring Zinc Plated Hardware

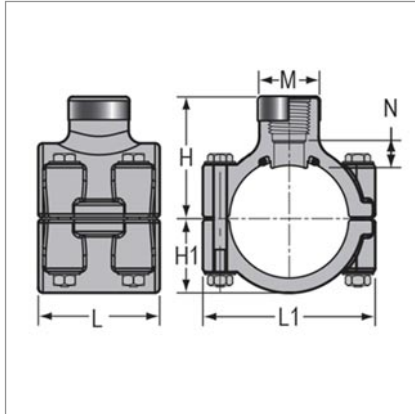


Size	Code	H	H1	L	L1	M	N	Hole Size	Approx Wt. (grams)
2x1/2	867-247CSR	60.33	38.10	61.91	87.31	30.16	7.94	19.05	265.50
2x3/4	867-248CSR	63.50	38.10	61.91	87.31	34.93	15.88	22.23	270.00
2x1	867-249CSR	66.68	38.10	61.91	87.31	42.86	14.29	28.58	279.00
2x1 1/4	867-250CSR	69.85	38.10	61.91	87.31	52.39	17.46	38.10	288.00
2x1 1/2	867-251CSR	74.61	38.10	61.91	87.31	60.33	19.05	38.10	315.00
2 1/2 x 1 1/2	867-291CSR	80.96	42.86	103.19	101.60	60.33	20.64	44.45	490.50
3x1/2	867-333CSR	84.14	52.39	76.20	111.13	34.93	23.81	22.23	418.50
3x3/4	867-334CSR	77.79	52.39	76.20	117.48	34.93	14.29	22.23	409.50
3x1	867-335CSR	80.96	52.39	76.20	117.48	42.86	14.29	28.58	418.50
3x1 1/4	867-336CSR	102.39	52.39	103.98	117.48	76.20	33.34	57.15	724.50
3x1 1/2	867-337CSR	102.39	52.39	103.98	117.48	76.20	68.26	57.15	702.00
3x2	867-338CSR	92.08	52.39	103.98	117.48	76.20	22.23	57.15	630.00
4x1/2	867-415CSR	103.98	66.68	76.20	141.29	60.33	28.58	28.58	625.50
4x3/4	867-416CSR	103.98	66.68	76.20	141.29	60.33	28.58	28.58	621.00
4x1	867-417CSR	96.84	66.68	76.20	142.88	42.86	17.46	28.58	598.50
4x1 1/4	867-418CSR	111.92	66.68	103.98	142.88	60.33	30.95	44.45	832.50
4x1 1/2	867-419CSR	104.78	66.68	103.98	141.29	60.33	23.81	44.45	801.00
4x2	867-420CSR	106.36	66.68	104.78	142.88	76.20	23.81	57.15	841.50
4x2 1/2	867-421CSR	127.00	66.68	138.11	145.25	108.74	30.95	76.20	1,408.50
4x3	867-422CSR	117.48	65.88	138.11	144.46	107.95	24.60	76.20	1,210.50
6x1/2	867-523CSR	137.32	98.43	76.20	196.85	42.86	34.93	28.58	1,125.00
6x3/4	867-524CSR	138.11	98.43	76.20	196.85	42.86	34.93	28.58	1,125.00
6x1	867-525CSR	130.18	98.43	76.20	201.61	42.86	23.81	28.58	1,102.50
6x1 1/4	867-526CSR	150.81	98.43	104.78	196.85	76.20	42.86	57.15	1,584.00
6x1 1/2	867-527CSR	150.81	98.43	104.78	196.85	76.20	44.45	57.15	1,566.00
6x2	867-528CSR	139.70	98.43	104.78	196.85	76.20	30.95	57.15	1,494.00
6x2 1/2	867-529CSR	163.51	98.43	152.40	201.61	107.95	39.69	76.20	2,326.50
6x3	867-530CSR	150.81	98.43	152.40	201.61	107.95	31.75	76.20	2,151.00
6x4	867-532CSR	152.40	99.22	152.40	201.61	131.76	34.93	101.60	2,601.00
8x1/2	867-573CSR	205.58	123.83	215.90	257.18	133.35	76.20	101.60	4,531.50
8x3/4	867-574CSR	205.58	123.83	215.90	257.18	133.35	76.20	101.60	4,612.50
8x1	867-575CSR	205.58	123.83	215.90	257.18	133.35	71.44	101.60	4,536.00
8x1 1/4	867-576CSR	236.54	125.41	217.49	251.62	132.55	40.48	101.60	4,432.50
8x1 1/2	867-577CSR	205.58	123.83	215.90	257.18	133.35	69.85	101.60	-
8x2	867-578CSR	195.26	123.83	215.90	257.18	133.35	60.33	101.60	-
8x2 1/2	867-579CSR	206.38	123.83	215.90	257.18	133.35	63.50	101.60	-
8x3	867-580CSR	195.26	123.83	215.90	257.18	133.35	49.21	101.60	-
8x4	867-582CSR	185.74	123.83	215.90	257.18	133.35	38.10	101.60	3,640.50
10x4	867-624CSR	215.10	153.19	215.90	312.74	133.35	55.56	101.60	-

Please note: This information is based on current manufacturers details, and is subject to change without notification.

PVCC Saddles Inch Sizes Clamp Saddle

NPT Female Threaded Outlet EPDM O-Ring Zinc Plated Hardware



Size	Code	H	H1	L	L1	M	N	Hole Size	Approx Wt. (grams)
10x6	867-626CSR	235.74	153.19	215.90	312.74	193.68	80.96	152.40	-
12x4	867-664CSR	242.89	181.77	215.90	363.54	133.35	41.28	101.60	-
12x6	867-666CSR	263.53	181.77	215.90	363.54	193.68	57.15	152.40	-

Please note: This information is based on current manufacturers details, and is subject to change without notification.