

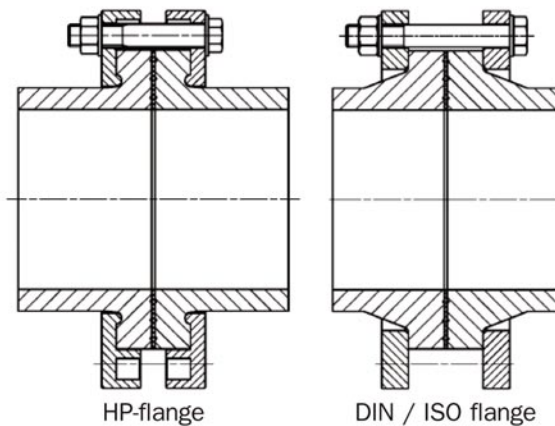
### Large diameter fabricated fittings

Working closely with our manufacturing partners, we can supply a comprehensive range of large diameter, fully pressure rated fittings, together with special fabrications, long radius bends and spool pieces.

A selection of the range is featured here and we will be delighted to discuss any specific requirements you may have.



### HP - Flange



The HP - flange has been designed for use in high pressure applications, and is particularly effective in larger diameters.

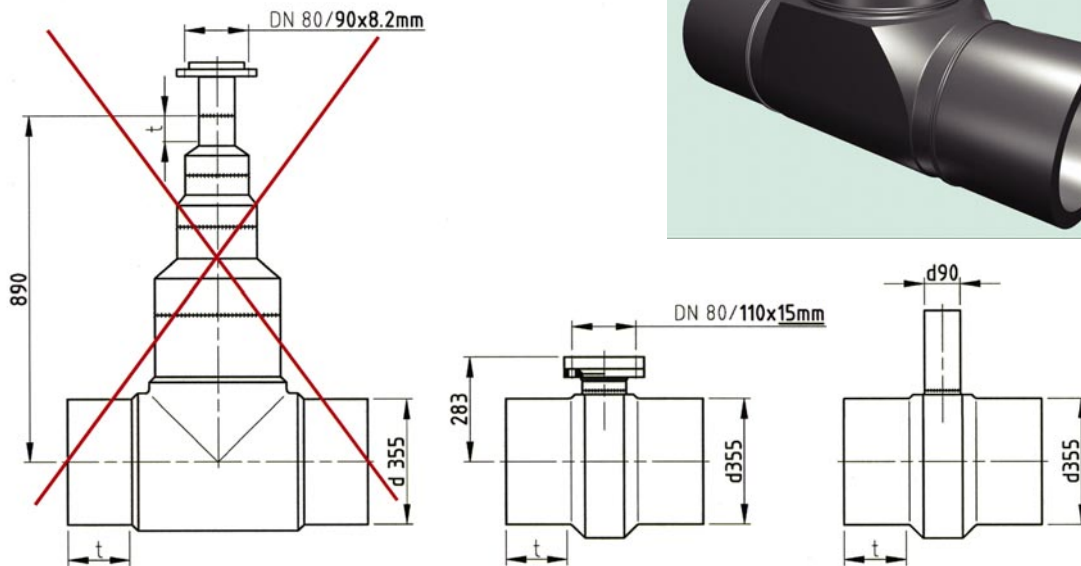
The uniquely designed collar and backing ring ensure that distortion of the flange face is eliminated, ensuring leak free joints.



Please contact either Tony Charlton or Tom Tate for further information on:

**0800 975 79 71**

## Large diameter fabricated fittings

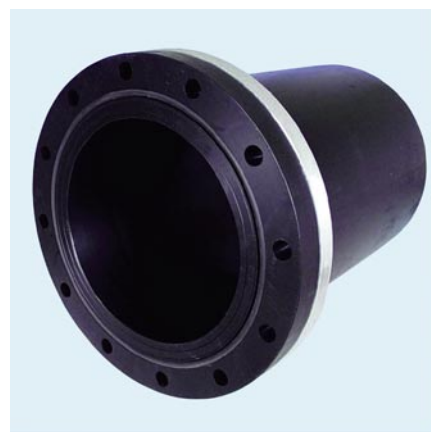
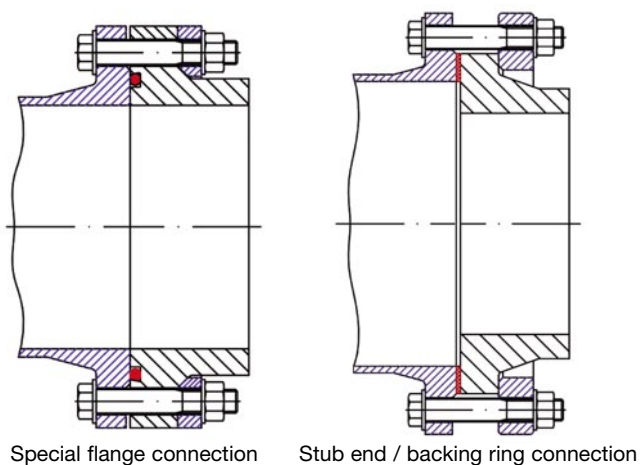


Large diameter tees are manufactured up to 1600mm in all pressure ratings.

Manufactured from hollow bar they can be produced with equal or reduced branches. Branches can be either long spigot or flanged as required.

Eliminating the need for a series of reducers, large branch reductions can be achieved with an extremely small footprint.

## Special Flange



Special flanges are full face flanges with nominal bores equivalent to cast iron or steel pipes. This design eliminates misalignment of the bore due to differing wall thickness.

The integrated o-ring ensures a tight, leak free joint while the long spigot design allows connection by either butt or electrofusion welding.

The flanges are supplied with either steel or cast iron backing rings.